

# McLaren Automation & Machine Tool LLC

## Wells-Index

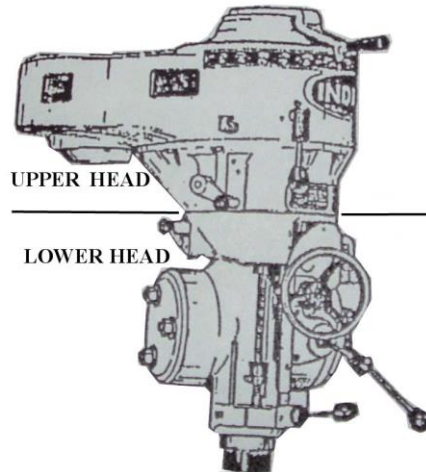
701 West Clay Ave. Muskegon, MI 49440 USA

Phone 800/456-7409 Fax 231/728-7456

[sales@wellsindex.com](mailto:sales@wellsindex.com) [www.wellsindex.com](http://www.wellsindex.com)

## SERVICE BULLETIN

### HEAD REBUILDING FOR VARIABLE SPEED HEAD ASSEMBLIES



\*Used on models 747VS, 847, 887, and 860C

\*Complete tear down and reassembly

\*New grey paint

\*New chrome on quill

\*All parts inspected and all bad or worn parts replaced

\*Available with R-8 or # 30 MMT taper

\*40 MMT, 200 and 300 Kwik switch spindle taper quoted on request

\*Upper head assemblies do not include motor or motor pulley repair

\*All rebuilt units include a 90 day warranty

\*All New bearings and new belts

\*Head bore lapped to newly ground quill

\*New quill lever assembly with lower head

\*New drawbar with lower head

**\*Freight charges are not included and are customers responsibility**

Part Number	Description	Price
000-700-715CR	Rebuild your complete head assembly	\$4850.00
000-700-710UR	Rebuild your upper head assembly	\$2575.00
000-700-712LR	Rebuild your lower head assembly	\$2950.00

**PLEASE NOTE: All major castings must be in useable condition**